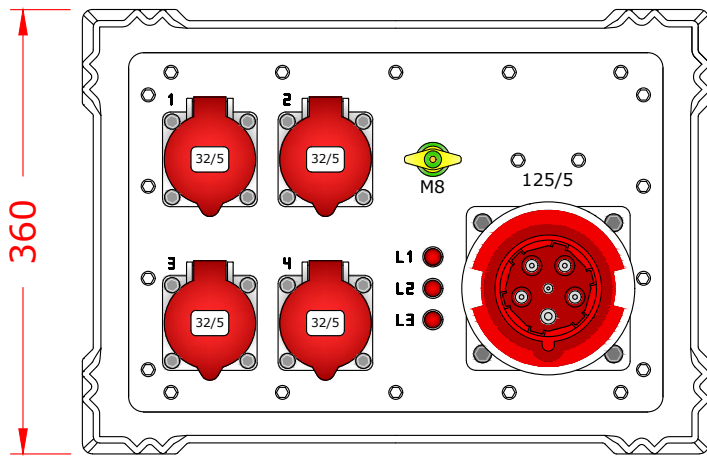
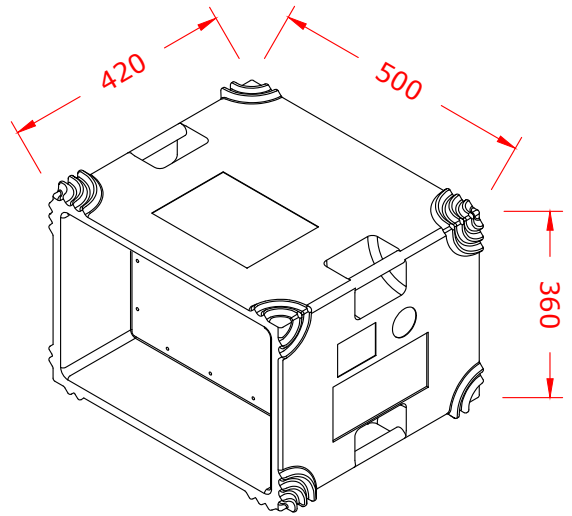
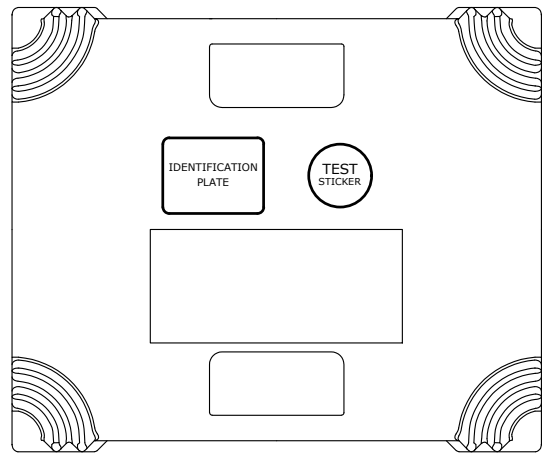


FRONT



BACK



RIGHT

Name: MH

Date: 12.06.2024

Frame: N.A.

Material: PE

Measurements in mm

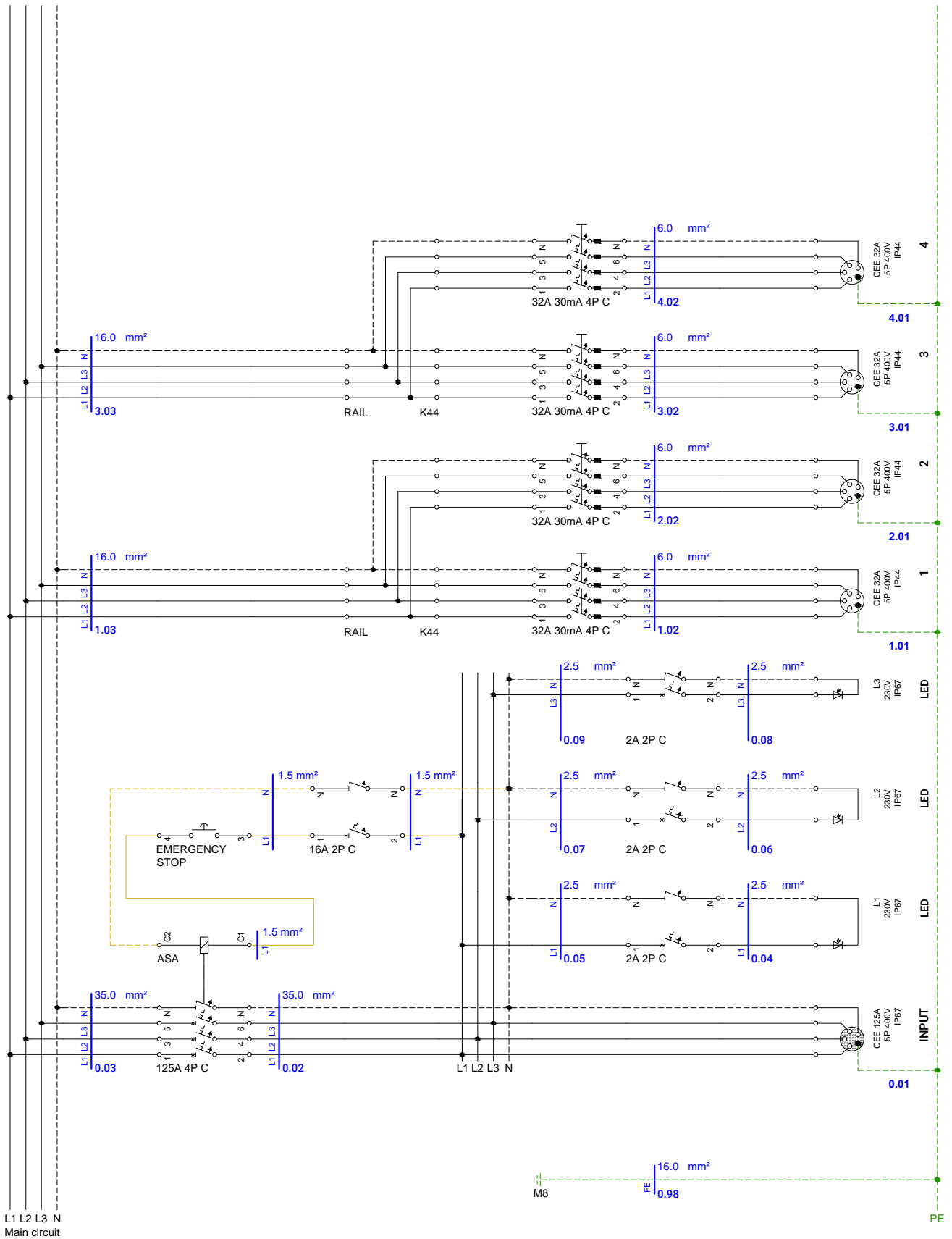
Type: CUBES-36

V45.36.1137-D

REV-0

Amp.: 125A

Page: 1/1



Name: MH

Date: 18.06.2024

I_{nA} : 125A

f_n (AC): 50Hz

U_{nA} : 400V

RDF: 0,6

V45.36.1137-S

Internal wiring H07V-K unless otherwise noted

According to NEN-EN-IEC-61439

Page: 1/1